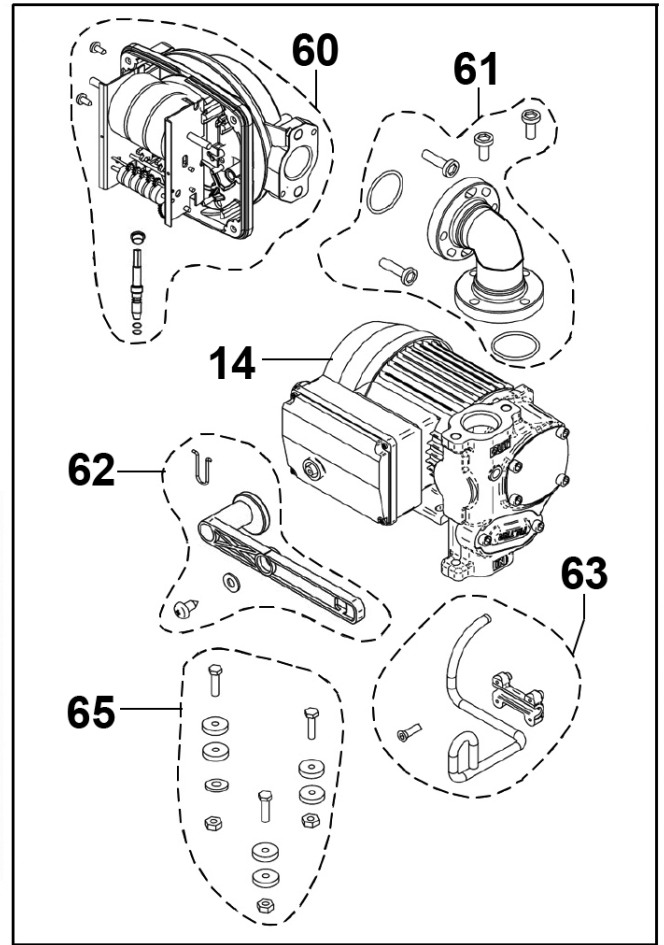
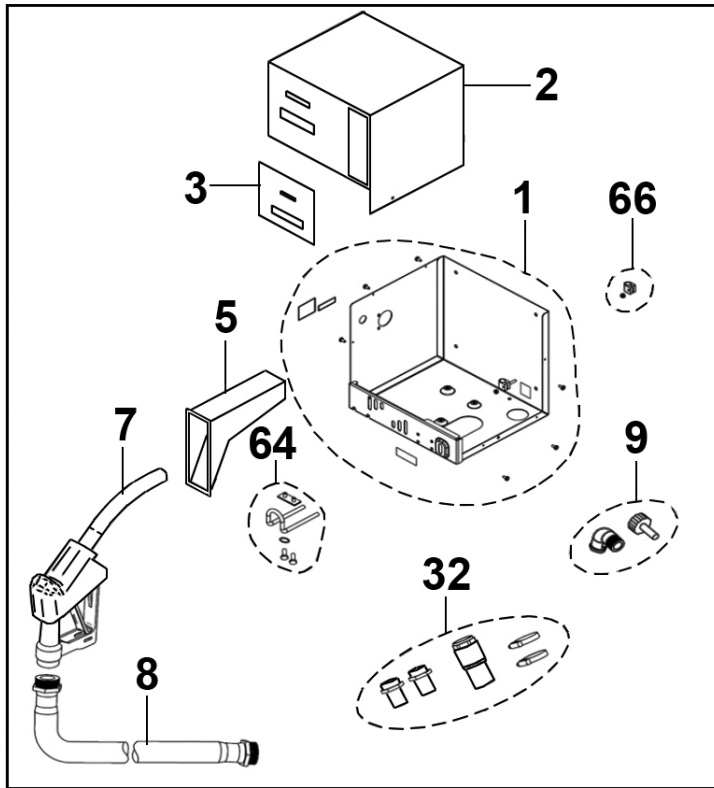




Parts Information:
**Diesel/Fluid Transfer System 56L/min Wall
 Mounting with Meter 230V
 Model No: TP955.V2**



Item	Part No.	Description
1	500.2490	Lower Plate Ass'y
2	500.2286	Upper Plate
3	500.2696	Label
5	500/8735	Nozzle Seat
7	500/0603	Automatic Nozzle
8	500/8976	Fuel Hose
9	500.2634	Knob Kit + Elbow
14	500.1528	Motor/Pump (Internal 230v 50hz)
32	500.8958	Valve Kit

Item	Part No.	Description
60	500.2491	Group Meter Cube
61	500.0824	Elbow + O-Ring + Screw Kit
62	500.2699	Cube Switch Arm Complete (With Lid)
63	500.2700	Nozzle Lever Support
64	500.2701	Hose Support
65	500.2723	Pump Fixing Kit
66	500.3131	Clip
--	500.7764	Hose Tail 1" To 1" Male

NOTE: It is our policy to continually improve products and as such we reserve the right to alter data, specifications and component parts without prior notice. There may be alternative versions of this product, please contact us should you require this information.

IMPORTANT: No liability is accepted for incorrect use of product. Spare parts must be fitted by a competent person

WARRANTY: Guarantee is 12 months from purchase date, proof of which will be required for any claim.

Sealey Group, Kempson Way, Suffolk Business Park, Bury St Edmunds, Suffolk. IP32 7AR



01284 757500



01284 703534



sales@sealey.co.uk



www.sealey.co.uk